

OBUDOWY OPS IP 44 RAL 7035 GŁ BOKO 250mm podstawowe



OPS TYPE HOUSING IP 44 RAL 7035 DEPTH 250mm one-chamber

GEHÄUSE OPS IP 44 RAL 7035 TIEFE 250mm Basic

	265mm	400mm	530mm	665mm	800mm	1065mm
400mm	OPS 24 	OPS 44 	OPS 54 	OPS 64 	OPS 84 	
500mm	OPS 25 	OPS 45 	OPS 55 	OPS 65 	OPS 85 	
600mm	OPS 26 	OPS 46 	OPS 56 	OPS 66 	OPS 86 	OPS 106
800mm	OPS 28 	OPS 48 	OPS 58 	OPS 68 	OPS 88 	OPS 108

OBUDOWY OPS IP 44 RAL 7035 GŁ BOKO 250mm 2-komorowe



OPS TYPE HOUSING IP 44 RAL 7035 DEPTH 250mm two-chamber

GEHÄUSE OPS IP 44 RAL 7035 TIEFE 250mm 2-Kammer

	530mm	665mm	665mm	800mm	1065mm
400mm	OPS 54.2 	OPS 64.2-24/44 	OPS 64.2-44/24 	OPS 84.2-44/44 	
500mm	OPS 55.2 	OPS 65.2-25/45 	OPS 65.2-45/25 	OPS 85.2-45/45 	
600mm	OPS 56.2 	OPS 66.2-26/46 	OPS 66.2-46/26 	OPS 86.2-46/46 	OPS 106.2-56/56
800mm	OPS 58.2 	OPS 68.2-28/48 	OPS 68.2-48/28 	OPS 88.2-48/48 	OPS 108.2-58/58

OBUDOWY OPS IP 44 RAL 7035 GŁ BOKO 250mm 2 i 3-komorowe

OPS TYPE HOUSING IP 44 RAL 7035 DEPTH 250mm two and three-chamber

GEHÄUSE OPS IP 44 RAL 7035 TIEFE 250mm 2- und 3-Kammer



	400mm	800mm	800mm	800mm
400mm	OPS 84.2-24/54 	OPS 84.2-54/24 	OPS 84.3 	
500mm	OPS 85.2-25/55 	OPS 85.2-55/25 	OPS 85.3 	
600mm	OPS 86.2-26/56 	OPS 86.2-56/26 	OPS 86.3 	
800mm	OPS 48.2 	OPS 88.2-28/58 	OPS 88.2-58/28 	OPS 88.3



OPS 48.2 F

OBUDOWY OPS IP 44 RAL 7035 GŁ BOKO 250mm 2-komorowe

OPS TYPE HOUSING IP 44 RAL 7035 DEPTH 250mm two-chamber

GEHÄUSE OPS IP 44 RAL 7035 TIEFE 250mm 2-Kammer



	1065mm	1065mm	1065mm
400mm	OPS 104.2-54/54 	OPS 104.2-44/64 	OPS 104.2-44/64 W2
500mm	OPS 105.2-55/55 	OPS 105.2-45/65 	OPS 105.2-45/65 W2
600mm	OPS 106.2-56/56 W2 	OPS 106.2-46/66 	OPS 106.2-46/66 W2
800mm	OPS 108.2-58/58 W2 	OPS 108.2-48/68 	OPS 108.2-48/68 W2



OPS 48.2 F

OBUDOWY OPS IP 44 RAL 7035 GŁ BOKO 250mm 2-komorowe

OPS TYPE HOUSING IP 44 RAL 7035 DEPTH 250mm two-chamber

GEHÄUSE OPS IP 44 RAL 7035 TIEFE 250mm 2-Kammer



	1065mm	1065mm	1065mm	1065mm
400mm	OPS 104.2-64/44 	OPS 104.2-64/44 W2 	OPS 104.2-24/84 	OPS 104.2-84/24
500mm	OPS 105.2-65/45 	OPS 105.2-65/45 W2 	OPS 105.2-25/85 	OPS 105.2-85/25
600mm	OPS 106.2-66/46 	OPS 106.2-66/46 W2 	OPS 106.2-26/86 	OPS 106.2-86/26
800mm	OPS 108.2-68/48 	OPS 108.2-68/48 W2 	OPS 108.2-28/88 	OPS 108.2-88/28

OBUDOWY OPS IP 44 RAL 7035 GŁ BOKO 250mm 3-komorowe

OPS TYPE HOUSING IP 44 RAL 7035 DEPTH 250mm three-chamber

GEHÄUSE OPS IP 44 RAL 7035 TIEFE 250mm 3-Kammer



	1065mm	1065mm	1065mm
400mm	OPS 104.3-24/24/54 	OPS 104.3-24/54/24 	OPS 104.3-54/24/24
500mm	OPS 105.3-25/25/55 	OPS 105.3-25/55/25 	OPS 105.3-55/25/25
600mm	OPS 106.3-26/26/56 	OPS 106.3-26/56/26 	OPS 106.3-56/26/26
800mm	OPS 108.28/28/58 	OPS 108.3-28/58/28 	OPS 108.3-58/28/28

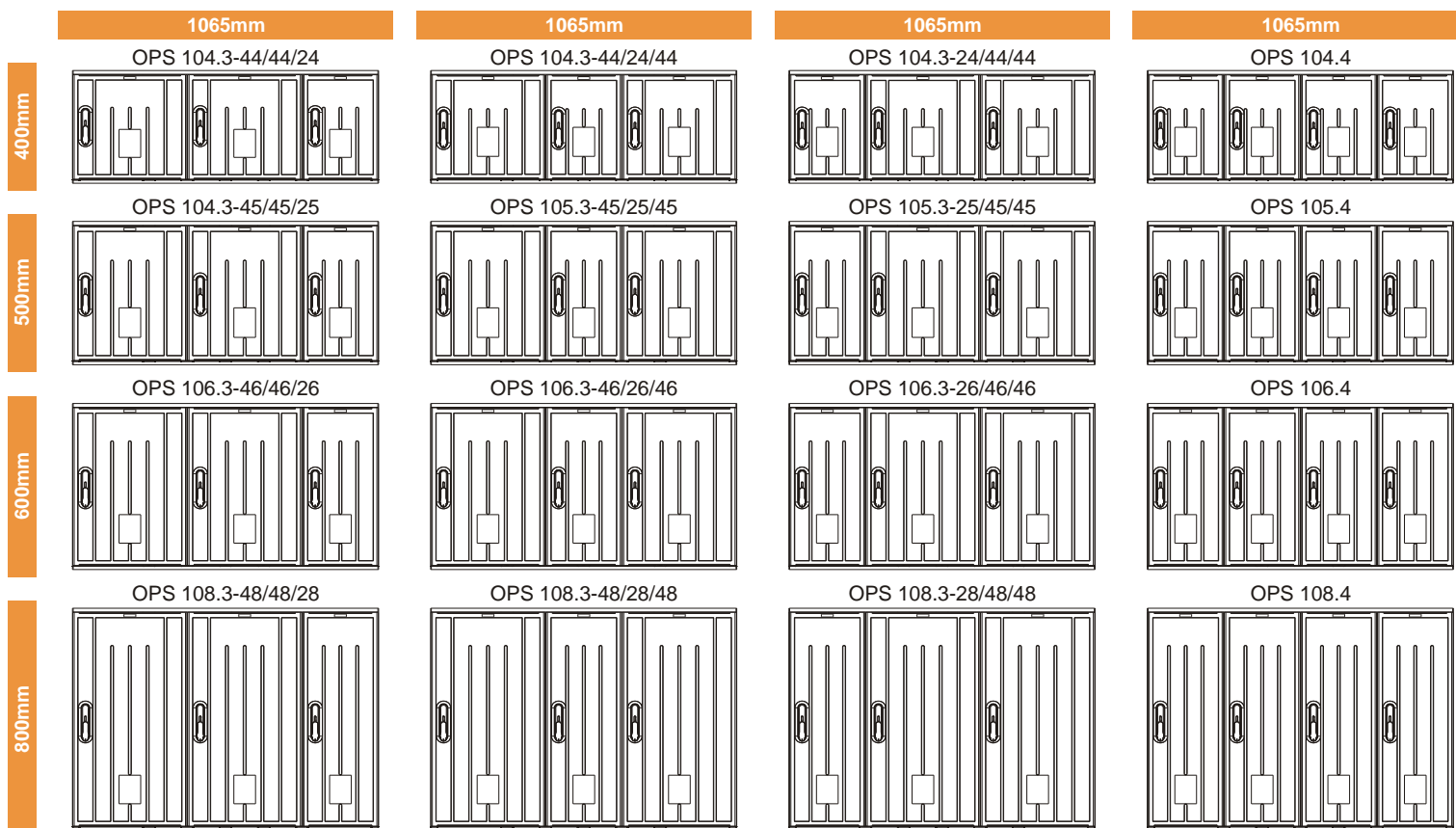


OBUDOWY OPS IP 44 RAL 7035 GŁ BOKO

250mm 3 i 4-komorowe

OPS TYPE HOUSING IP 44 RAL 7035 DEPTH 250mm three and four-chamber

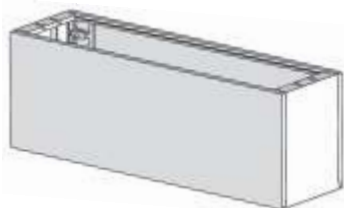
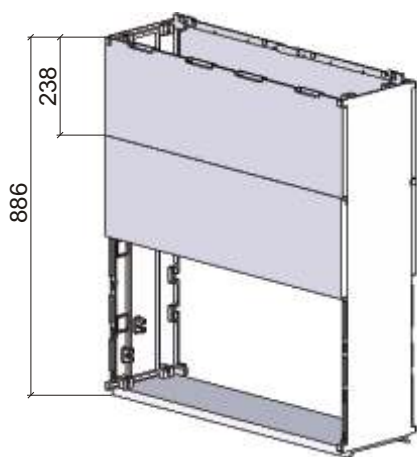
GEHÄUSE OPS IP 44 RAL 7035 TIEFE 250mm 3- und 4-Kammer



FUNDAMENTY ORAZ NADSTAWKI DO OBUDÓW OPS

FOUNDATION AND EXTEND OF THE FOUNDATION FOR OPS TYPE HOUSING

SOCKEL FPS UND SOCKEL NFS



FUNDAMENT FPS FPS foundation / Sockel FPS		TYPY OBUDÓW Type housing / Gehäuse Typ
Typ/Type	szeroko (mm)	OPS
FPS 26	260	24, 25, 26, 28
FPS 40	400	44, 45, 46, 48
FPS 53	530	54, 54.2, 55, 55.2, 56, 56.2, 58, 58.2
FPS 66	660	Wszystkie obudowy OPS o szeroko ci 660 mm All housing OPS type with a width of 660 mm OPS bis 660 mm
FPS 80	800	84, 84.2, 85, 85.2, 86, 86.2, 88, 88.2
FPS 106	1060	Wszystkie obudowy OPS o szeroko ci 1065 mm All housing OPS type with a width of 1065 mm OPS bis 1065 mm

Nadstawka fundamentu NFS NFS extend for foundation / Sockel NFS		TYPY OBUDÓW Type housing / Gehäuse Typ
Typ/Type	szeroko (mm)	OPS
NFS 26	260	24, 25, 26, 28
NFS 40	400	44, 45, 46, 48
NFS 53	530	54, 54.2, 55, 55.2, 56, 56.2, 58, 58.2
NFS 66	660	Wszystkie obudowy OPS o szeroko ci 660 mm All housing OPS type with a width of 660 mm OPS bis 660 mm
NFS 80	800	84, 84.2, 85, 85.2, 86, 86.2, 88, 88.2
NFS 106	1060	Wszystkie obudowy OPS o szeroko ci 1065 mm All housing OPS type with a width of 1065 mm OPS bis 1065 mm